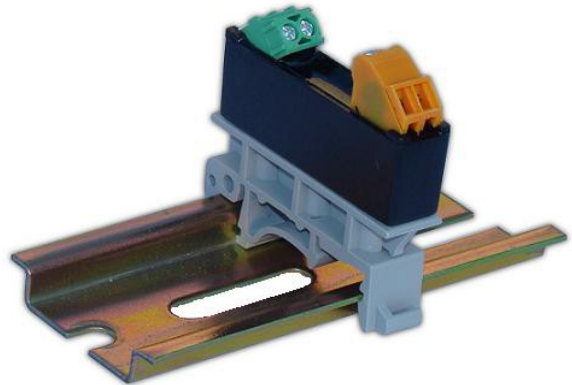


FEATURES

- TWO WIRE INPUT, TWO WIRE OUTPUT
- LARGE INPUT VOLTAGE RANGE 4-40 vdc
- REVERSE POLARITY PROTECTED TO 100 VDC
- LIMITS THE CURRENT TO 10 mA, NO EXTERNAL RESISTOR IS NEEDED
- LOW POWER, AS LOW AS 40 mW FROM THE INPUT, BUT CAN SWITCH UP TO 24 W AT THE OUTPUT
- THE OUTPUT CAN SWITCH EITHER AC OR DC CURRENT
- PULSE FREQUENCY FROM DC TO 1200 Hz
- 35 mm DIN RAIL MOUNT
- CAN BE USED ALSO AS A SOLID STATE RELAY
- ISOLATION VOLTAGE > 1000 VDC
- ISOLATION RESISTANCE > 100 Mohm @ 500 VDC
- LxWxH = 43x10x42 mm (1.68"x0.4"x1.66")
- WEIGHT = 13.5 g (0.47 oz.)

APPLICATIONS

- FLOW METERS PULSE ISOLATION
- INDUSTRIAL CONTROL
- METERING PUMPS
- SCADA
- IRRIGATION



1. DESCRIPTION

GPI11 is a low power isolator for digital signals (ON / OFF) from DC voltage to pulses with frequency over 1200 Hz. It can also be used as a solid state relay for up to 24 W load.

The input limits the current through GPI11 to 10 mA so no external limiting resistor is needed.

The output has no polarity and can equally switch DC or AC load.

GPI11 has high input voltage range, low consumption from the source and very low output resistance (when ON).

With its DIN rail mounting, very small size, slim design, high isolation and functionality it is an excellent choice for isolating pulses from flow meters and any other source, controlling remote DC or AC loads and many other applications.

2. ABSOLUTE MAXIMUM RATINGS *

Operating temperature	-20 °C to +60 °C
Input voltage	40 V DC
Reverse input voltage	100 V DC
Output current	400 mA DC/AC
Output voltage	60 V DC, 40V AC

* **NOTE: Stresses above those ratings may cause permanent damage to the device.**

3. CHARACTERISTICS

Parameter	Conditions	Min	Typical	Max	Units
Input					
Input voltage	-20 °C to +60 °C	4		36	V DC
Input frequency				1200	Hz
Current from the source			10		mA
Output					
Voltage, when OFF	-20 °C to +60 °C			60	V DC
Output ON resistance	-20 °C to +60 °C, 400 mA load		1		ohm
Output OFF leakage	-20 °C to +60 °C, 60 V DC		3		nA
Isolation voltage	Input to output	1000			VDC
Isolation resistance	Input to output @ 500 VDC	100			Mohm

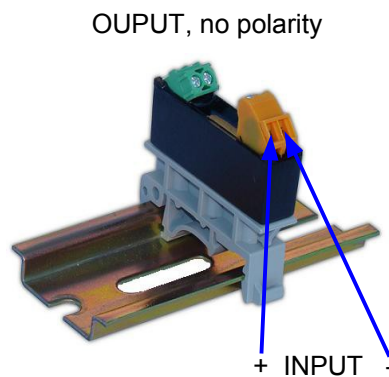
4. APPLICATION

4.1. MECHANICAL

Mounting Gpi11 on the DIN rail requires an area of 43 x 10 mm (1.68" x 0.4").

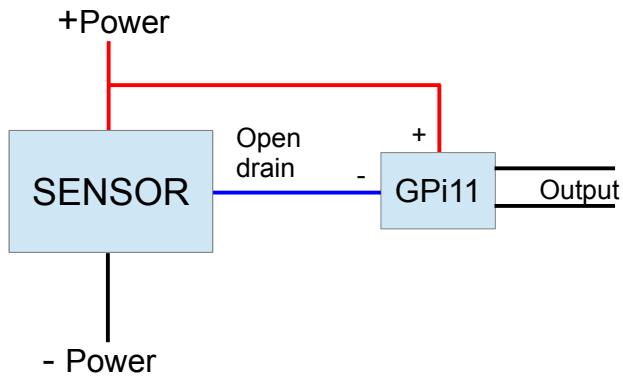
4.2. ELECTRICAL

The input is 2 wire and uses power from the pulse / signal source. It has reverse polarity protection. The output has no polarity and can equally switch DC or AC current.

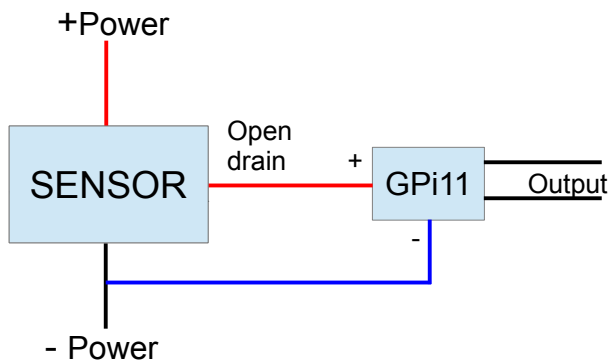


4.2.1. WIRING

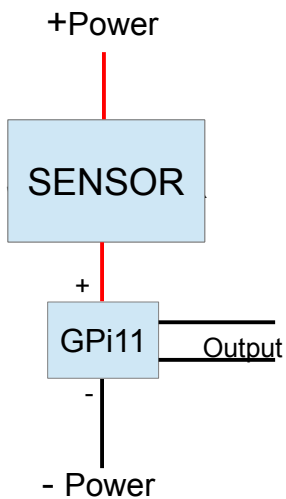
4.2.1.1. NPN OPEN DRAIN / COLLECTOR



4.2.1.2. PNP OPEN DRAIN / COLLECTOR



4.2.1.3. REED SWITCH, DRY CONTACT





5. ORDERING

For ordering please use the G Instruments part number 30701.



IMPORTANT NOTICE

G Instruments reserves the right to make corrections, modifications, enhancements, improvements, and other changes to its products at any time without notice.

Customers should obtain the latest relevant information before placing orders and should verify that such information is current and complete.

G Instruments does not assume any liability arising from the use of any device or circuit described herein, nor does it convey any license under its patent rights or the rights of others.

Customers are responsible for their products and applications using G Instruments devices. To minimize the risks associated with customer products and applications, customers should provide adequate design and operating safeguards.

G Instruments products are not authorized for use as critical components in life support devices or systems without express written approval of G Instruments.

Trademarks and registered trademarks are the property of their respective owners.