



FEATURES

- RS485 MODBUS RTU, 1/8 LOAD
- PROGRAMMABLE ADDRESS, BAUD RATE, PARITY AND STOP BITS
- UNIVERSAL INPUT, 5 kHz, CAN POWER THE SENSOR
- NO NEED OF AMPLIFIERS OR LINEARIZERS
- SEVEN DIGIT RATE WITH PROGRAMMABLE DECIMAL PLACES
- THREE SEVEN DIGIT TOTALS WITH PROGRAMMABLE DECIMAL PLACES. ONE NON-RESETTABLE, TWO RESETTABLE
- SINGLE KFACTOR OR 30 POINTS CALIBRATION CURVE
- KFACTORS FROM 0.00001 TO 9,999,999
- MILLILITERS, LITERS, GALLONS, CUBIC FEET, CUBIC METERS, ACRE FEET
- PER SECOND, PER MINUTE, PER HOUR, PER DAY
- ISOLATED 12 BIT ANALOG 4-20 mA LOOP POWER OUTPUT
- ISOLATED NO POLARITY 100V/100mA DC/AC OUTPUT THAT CAN BE PROGRAMMED TO BE:
 - RATE ALARM, HIGH OR LOW
 - BATCH OUTPUT WITH A START INPUT
 - TOTAL LIMIT FOR 1 TO 64 DAYS WITH A RESUME INPUT
 - PULSE OUTPUT, UP TO 480 PULSES PER MINUTE (METERING PUMPS)
 - PULSE OUTPUT, UP TO 500 Hz
- 64 DAYS DATALOGGER (TOTAL FOR EACH 24 HOURS)
- ALL SETTINGS STORED IN A NON-VOLATILE MEMORY
- SETTINGS LOCK/UNLOCK FOR SECURITY
- HIGH CONTRAST IN THE ENTIRE TEMPERATURE RANGE
- SIMPLE PROGRAMMING, SMALL SIZE

APPLICATIONS

- FLOW RATE AND TOTAL MEASUREMENT AND CONTROL
- BATCH APPLICATIONS
- LIMITING THE TOTAL IN ANY ROLLING PERIOD OF 1 TO 64 DAYS, PROGRAMMABLE
- METERING PUMPS PRECISE CONTROL FOR DOSING APPLICATIONS
- SCADA



1. DESCRIPTION

AH111-MB is a low power flow computer / totalizer with an universal input, variety of outputs and RS485 MODBUS RTU. It provides power for many types of sensors and accepts their signal to measure flow rate and total. AH111-MB has an isolated no polarity 100V/100mA output that can be programmed to work as a rate alarm, high or low, with +/- 1 % hysteresis, batch, limit or pulse output. AH111-MB also has an isolated 12 bit analog 4-20 mA loop power output that can be connected to SCADA, PLC or another control device.

AH111-MB stores up to 64 totals for each 24 hours that can be easily viewed on the liquid crystal display or read by the MODBUS master.

For better accuracy AH111-MB provides calibration curve capabilities for up to 30 points. In seconds the operator can switch between a single KFACTOR and the curve of up to 30 points.

The AH111-MB software implements a version of our proprietary predictive/adaptive, self-adjusting digital filtering which provides extremely stable reading at any input frequency, plus very fast response to any change in the flow.

AH111-MB has a RS485 MODBUS RTU communication port with 1/8 load which allows up to 247 devices on the same 2 wire network. The baud rate, the parity and the stop bits are programmable. Many variables can be read or cleared by the MODBUS master.



2. ABSOLUTE MAXIMUM RATINGS *

Operating temperature	-20 °C to +70 °C The electronics system is industrial (-40 °C to +85 °C) and higher grade . The Liquid Crystal Display (LCD) limits the temperature range.
Power supply voltage	40 VDC
Voltage for the analog output	40 VDC
Sensor consumption	20 mA DC
Digital output current	100 mA DC/AC. Alarm, batch, limit or pulse output
Digital output voltage	100 V DC, 70V AC. Alarm, batch, limit or pulse output

*** NOTE: Stresses above those ratings may cause permanent damage to the device.**

3. CHARACTERISTICS

Parameter	Conditions	Min	Typical	Max	Units
Power supply	-20 °C to +70 °C	12		36	V DC
Input					
Voltage for the sensor	-20 °C to +70 °C, max 20 mA, Note 1		10		V DC
Threshold, low	Wave or logical signal (CMOS, TTL etc.)		1		V DC
Threshold, high	Wave or logical signal (CMOS, TTL etc.)		1.4		V DC
Coil voltage	Symmetrical signal from the coil (sine, triangle, saw etc)	20			mVpp
NAMUR, low threshold	-20 °C to +70 °C, Powered by AH111-MB, Note 2		1		mA DC
NAMUR, high threshold	-20 °C to +70 °C, Powered by AH111-MB, Note 2		2.1		mA DC
Reed switch current	-20 °C to +70 °C, Powered by AH111-MB, Note 2			3.5	mA DC
Frequency, HF	Note 7		5 000		Hz
Frequency, MF	Note 7		1 000		Hz
Frequency, LF	Note 7		200		Hz
Analog Output					
Power supply	-20 °C to +70 °C, Note 3	7.2		36	V DC
Resolution	-20 °C to +70 °C, 7.2 – 36 V		4		uA
Error	250 ohm load, 24 V, 25 °C, Note 4			0.05	% FS
Power supply error	7.2 - 36V, no load, output disabled, 25 °C			0.5	uA/V
Temperature coefficient	-20 °C to +70 °C, 24 V		35		ppm/°C
Current, output disabled	SET20 = 0.0, 24 V DC supply, 25 °C		3.85		mA
Digital Output					
Output ON resistance	-20 °C to +70 °C, 100 mA			8	ohm
Output OFF leakage	-20 °C to +70 °C, 100 V DC			5	nA
'Low', pulse rate	Note 5			480	p/min
'Low', pulse duration	Note 5		62.5		ms
'Low', pause duration	Note 5	62.5			ms
'High', pulse rate	Note 6			30,000	p/min
RS485, 2 wire					
Load	1/8 of the standard RS485 driver load		1/8		

Note 1: When powering a 3 wire sensor like open drain/collector pnp/npn sensor. For 2 wire sensors the current is automatically limited when powered by AH111-MB.

Note 2: If the 2 wire sensor uses external power, the external voltage must be 10 V DC or less.

Note 3: The minimum voltage for the 4-20 mA output to operate is $V = 7.2 + R \text{ load [ohm]} * 0.020$ [V DC]
For a AH111-MB with a load of 250 ohm, the minimum voltage would be 12.2 V DC.

Note 4: The parameter includes all errors, non-linearity and noise at constant voltage and temperature.

Note 5: Pulse output has been programmed to be 'low' – low pulse rate for metering pumps applications. Pulse and pause widths are fixed.

Note 6: Pulse output has been programmed to be 'high' – high pulse rate for SCADA, PLCs etc. Pulse and pause have equal widths.

Note 7: The values are for reference only. The maximum frequency strongly depends on the duty cycle of the signal and the type of the sensor.

3.1. BUTTONS

There are three buttons: **SET** , **UP**  and **RIGHT**  :

- **SET** is used to enter and exit menus and confirm options chosen
 - **UP** is used to change the data
 - **RIGHT** is used to move the cursor (blinking digit or icon) to the right
- Additional button functions:

There are two types of buttons accepted by the AH111-MB flow computer / totalizer:

- Short is when the button is pressed and released in less than 0.5 second
- Long is when it is kept pressed for more than 5 seconds
- All other durations are ignored

NOTE: The UP button will not change the value if the settings are locked.

3.2. INPUTS

AH111-MB has two inputs:

- Pulse input from a flow sensor such as wave, logical signal, open drain/collector, npn/pnp, reed switches, dry contact, proximity/NAMUR sensors, Data Industrial 2 wire flow meters, turbine meters, coils and others. The computer / totalizer has all pull-up/down, current limiting and signal conditioning circuits built-in. The input also provides power for all types of sensors. There is no need to use external amplifiers for the coils if they provide more than 20 mVpp signal.
- Start/pause/resume input. This input is used for batch and limit applications with the output of AH111-MB programmed as batch or limit. The intended use of this input is to connect to it a normal open push button, dry contact or an open drain sinking output. If the output of AH111-MB is programmed as alarm or pulse, this input is ignored.

3.3. OUTPUTS

AH111-MB has two isolated outputs:

3.3.1. Analog output

The isolated analog output is 4-20 mA, two wire, passive, 12 bit, with reverse polarity and surge protection, high accuracy and reliability. Using the **SET20** menu, it can be programmed to represent the flow rate.

SET20 parameter refers to the flow rate (in M³/H) the output will be 20.00 mA.



3.3.2. Digital output

The isolated digital output has no polarity, can work with 100V/100mA and can be programmed to be:

- Rate alarm, high or low, with +/- 1% hysteresis.
Example: If the alarm is programmed at 100.00 M³/H and to be **high** the output will turn on when the flow rate exceeds 101.00 M³/H and will turn off when it drops below 99.00 M³/H. With **low** alarm the action will be reversed.
- Batch total
Example: The batch amount is programmed at 1000.0 M³. The **total B** shows the batch amount accumulated and is not resettable. When **total B** reaches or exceeds 1000.0 M³, the digital output turns OFF and **total B** stops increasing. Pressing the push button for more than 0.5 seconds will clear **total B**, turn the digital output ON and **total B** will start accumulating next batch amount. Pressing the push button before reaching 1000.0 M³ will pause the batch (**total B** not accumulating, output OFF). Pressing it again will resume the batch (output ON, **total B** accumulating).
- Limit total. This feature can limit the total for any rolling number of days programmed.
Example: To limit the total of water used to 200 M³ a week, program the limit to 200 M³ and the DAYS to 7. If the total in any rolling 7 days exceeds 200 M³, the output will turn on and can shut the master valve off or perform another function. The output will stay on until the resume input (connected to a push button, switch etc.) is shorted. The total used is checked against the limit once a day, 24 hours after the previous check.
- Pulse output. This feature is intended for use with metering/dosing pumps, SCADA, PLCs and other devices.

The pulse output can be programmed for **low** or **high** pulse rate.

- When **low** it provides pulses with duration of 62.5 ms and pause longer than 62 ms. The output pulse rate is limited to about 480 pulses per minute for use with metering/dosing pumps.
- When the pulse output has been programmed for **high** rate it can provide up to 30,000 pulses per minute (500 Hz) with equal duration of the pulse and the pause.

Example: You are adding chlorine or fertilizer to the water and have connected the control input of a pump to this pulse output. You program the “**SETP**” factor at 3.762 M³ per pulse. The pump will produce one pulse every 3.762 M³ and add the chlorine or the fertilizer in an exact proportion to the water.

3.4. PORTS

AH111-MB has a two wire RS485 communication port which represents 1/8 load and can be used to connect to a two wire RS485 network. The protocol is MODBUS RTU. Baud rates are 4800, 9600, 19200, 38400, 57600 and 115.2k. Parity is programmable to none, even or odd. If no parity has been chosen then the stop bits are programmable to 1 or 2. A fixed 1 stop bit is automatically used with even or odd parity. The character is 8 bit fixed.

3.5. DISPLAY

The liquid crystal display (LCD) has 7 digits with 5 decimal places and many icons. It shows rate, total and all the variables and options that can be set or programmed. The rate and the totals have programmable auto, none, 1, 2, 3, 4 or 5 decimal places.

AH111-MB software implements our latest proprietary algorithms for predictive / adaptive, self-adjusting digital filtering of the rate. It provides exceptionally stable reading at any input frequency, plus



very fast response to any change in the flow.

When the display shows rate, a “**RATE**” icon is displayed. If it shows total a “**TOTAL**” icon will be displayed along with “**A**”, “**B**” or “**C**” (AH111-MB has three totals).

When input pulses are present, an “**INP**” (input) icon will be displayed.

When the digital output is ON an icon for cause will be displayed (**alarm, batch, limit** or **pulse**)

If the total on the LCD is allowed to be reset, a “**RESET**” icon will be displayed.

If a message from the MODBUS master has been received the “**COMM**” icon will appear for half a second.

3.5.1. Volume and time units

- Milliliters (**mL**), liters (**L**), gallons (**G**), cubic feet (**CF**), cubic meters (**M³**) and acre feet (**AF**) per second (**S**), minute (**M**), hour (**H**) and day (**D**) are available.

3.5.2. Normal mode

Automatically after turning the power on or exiting a menu, AH111-MB enters the normal mode.

Normal mode displays:

- Rate
- Total A, B or C. Total A reset can be enabled or disabled. It is stored in a non-volatile memory every 50 seconds.
Total B in batch mode for the output is non-resettable. It is the total that is compared against the pre-programmed batch volume.
If a total is allowed to be reset, the **RESET** icon is shown. Reset a total with long **RIGHT** button.
- To switch between rate, total A, B or C, use short **UP** button.

3.5.3. Menus

To enter the menus, use long **SET** button in normal mode. About 5 seconds after holding the **SET** button, the first menu will appear on the LCD:

- **KFACTOR** icon along with a blinking decimal point and the KFACTOR number is shown. The decimal places for all KFACTORs (single KFACTOR and all KFACTORs in the calibration table) can be programmed using **UP** button. KFACTORs ranging from 0.00001 to 9,999,999 can be entered this way. To move from the blinking decimal point away and start entering the KFACTOR digits use the **RIGHT** button. The main **KFACTOR** for the particular FLOW meter connected to the AH111-MB can be entered. This is how many pulses the flow computer will receive for one M³.
While in this menu all the settings can be locked/unlocked. Use **RIGHT** button to move the cursor to the furthest digit on the right and then use long **SET**.
 - Use short **UP** to lock/unlock the settings. Then use short **SET** to go back to **KFACTOR** menu.
 - If the settings are locked, they can be viewed, not changed.

From the **KFACTOR** menu use short **SET** to enter the next menu. NOTE: the computer will not accept zero for the **KFACTOR**.

- **Adr** will appear on the display and the MODBUS address of the device can be changed. The software will accept addresses between 1 and 247.
All addresses on a RS485 network must be unique. Make sure there is no other device with the



same address on the same 2 wire network.

Use short **SET** to move to the next menu

- **br** will appear and the baud rate can be chosen among 4800, 9600, 19200, 38400, 57600 and 115.2k. Push **SET** to go to parity menu
- **P** will appear on the left and using the **RIGHT** button the parity can be programmed to none, even or odd. Use short **SET** to move to the next menu.
If even or odd parity has been chosen AH111-MB will automatically use 1 stop bit and the next menu will be the curve menu.
If no parity has been chosen the next menu will be the stop bits menu where 1 or 2 stop bits can be programmed. After that AH111-MB will go to the curve menu.

- In the **CUrve** menu, use short **UP** to change between blinking **CUrve** and blinking **KFACTOR**. The flow computer will use either the single **KFACTOR** or the calibration **CUrve** of up to 30 points for calculations. The points have to be entered before using the calibration curve. The curve is stored in a non-volatile memory, and the points can be entered in any order. The computer will order and validate them.
 - Enter the calibration data mode by using long **SET** in the **CUrve** menu for either a blinking **CUrve** or **KFACTOR**.

- “**CAL Crv**” will appear on the LCD, and “**NO**” icon will be blinking. To continue choose **YES** and press short **SET**. To leave calibration curve data mode and leave the previous calibration data untouched, choose **NO** and press short **SET** to go back to the **CUrve** menu.

This feature is very useful for flow meters that have a calibration sheet provided by the manufacturer or the calibration laboratory. Each point consists of an input frequency in [Hz] and a KFACTOR (in pulses per M³) for that frequency.

Once you enter the calibration curve data menu, you have to go to the last point (point 29). If you have data for less points enter 0.0 for the frequency for all unused points. AH111-MB will not accept 0.0 for any KFACTOR of the points used.

If **YES** has been chosen, “**Pnt 0**” will appear on the LCD. Press short **SET** and enter the input frequency in [Hz] for point 0. Press short **SET** and then enter the KFACTOR for that input frequency. Press short **SET** to do the same for the next point.

Repeat the above for up to 29 more points. After point 29, the flow computer will automatically return to the **CUrve** menu.

- There is no need to enter the frequency at each point in a special (ascending/descending) order. The computer will automatically sort and validate the data and calculate all the parameters..

In the **CUrve** menu press short **SET** to move to **SET20** menu.

- In the **SET20** menu, set the flow rate in M³/H at which you want the analog output to be 20.00 mA. Analog output will be 4.00 mA at 0.0 M³/H. If **SET20** = 0.0 the analog output will stay about 3.85 mA and will not change with the rate. Press short **SET** to move to the “**volume units menu**.”
- In the “volume units” (**vU**) menu, use **UP** to choose the volume units among **mL**, **L**, **G**, **CF**, **M³** and **AF**. Press short **SET** to move to the “**time unit menu**.”



- In the “time unit” (**tU**) menu, use **UP** to choose the time units among **S**, **M**, **H** and **D**. Press short **SET** to move to the “**OUT Type**” menu.
- In the output type menu, use **UP** to choose the type of the output among **alarm**, **batch**, **limit** and **pulse**. Press short **SET** to move to the next menu or press long **SET** to enter the **DATALOG** menu.
 - * If alarm has just been chosen, the next menu will be the “**alarm type**” menu where using **UP** button **high** or **low** alarm can be chosen. Press short **SET** to move to the **alarm value** menu.
 - * If the **limit** output has been chosen, the next menu will be **DAYS** menu where the rolling number of days for the limit can be entered.
 - * If the **pulse** menu has been chosen the next menu will be **Pulse Type** (high/low). Use **low** pulse output for metering/dosing pumps with up to 480 strokes per minute. Use **high** pulse output to connect to a PLC, SCADA or other device that can accept up to 30 000 pulses per minute (500 Hz). Use short **SET** to move to **SETP** menu.
- In the **output value** menu:
 - The value of the **alarm** must be in **M³/H**
 - The value of the **batch** must be in **M³**, and it will compare to the **total B**
 - The value of the **limit** must be in **M³**
 - The value for **SETP** must be in **M³ PER PULSE**

Note that the computer will not accept zero for those settings.

- If the **batch** function has been chosen pressing short **SET** will move to the “**overflow Compensation**” menu. Using it the extra liquid volume due to the valve closing delay can be compensated and the batch accuracy can be improved.
- Press short **SET** to move to the “**Rate decimal Places**” menu where (using short **UP**) auto, none, 1, 2, 3, 4 or 5 decimal places for the rate can be programmed.
- Press short **SET** to move to the “**Total decimal Places**” menu where (using short **UP**) auto, none, 1, 2, 3, 4 or 5 decimal places for all totals can be programmed.
If **AUTO** has been chosen AH111-MB will use the icons “**x10**” and “**x100**”. When the total reaches 9 999 999 it will not clear but the icon **x10** will be used. When it reaches again 9 999 999, it will not clear but the icon **x100** will be used. This way the total extends to 9 digits and will clear after it reaches 999 999 999 (one billion).
- Press short **SET** to move to the **Total A Reset enable/disable** menu. In this menu using **UP** button the total A reset can be enabled or disabled.
If enabled and AH111-MB is in normal mode displaying total A, the **RESET** icon will also be displayed and long **RIGHT** will clear total A.

Because this is the last menu, pressing long **SET** will move the computer to the **LOCK** menu. Use **UP** to lock the settings and press short **SET** to go back to **Total A Reset enable** menu. General practice would be to unlock the settings at the **KFACTOR** menu. Settings can be changed changed and locked again before exiting at the last menu . Press short **SET** to exit. After a couple of seconds during which all the settings are checked, validated and stored into the non-volatile memory, the computer will return to the normal mode.

NOTE: The software time out feature will reset the computer and force it to the normal mode WITHOUT saving any changes made in any of the menus. The changes will only be saved after exiting the Total A Reset enable menu by pressing short SET.



NOTE: Even in menu mode, the computer always continues to measure and calculate rate and total and control the output so no total will be lost. In some circumstances, such as changing the KFACTOR, the total accumulated will be invalidated. The user must take appropriate actions after changing the settings, such as resetting the total for an instance.

- If long **SET** has been pressed in the **output type** menu, the computer will move to the **DATALOG** menu. “**DAYS back 00**” will appear on the LCD. Pressing **UP** will display the total after the last full 24 hours. Pressing **RIGHT** will bring back the **DAYS back XX** menu. Pressing **RIGHT** again will increment the **days back** number. The totals for up to 64 previous days are available. This feature can be useful with the limit output, allowing the user to check the total water used per day and to determine when the limit was exceeded.
- Pressing short **SET** will move the computer to the **DATALOG RESET** menu. Choose **YES** or **NO** using **UP** button. Choosing **YES** will reset the data log to zero for all totals (1 to 64 days back).
- Press short **SET** to move to the **DTALOG INIT** menu. Choosing **YES** will initialize the data log – all the totals for all days back will remain untouched but the time for completing 24 hours total will change to the moment at which the short **SET** after **YES** was pressed. After the short **SET**, the computer will return to the **OUTput TYPE** menu.

Example: The owner did a **DATALOG INIT** at 11 o'clock. Exactly at the same time each day the total for the last 24 hours will be stored and a new cycle will start.

3.6. Checking the LCD

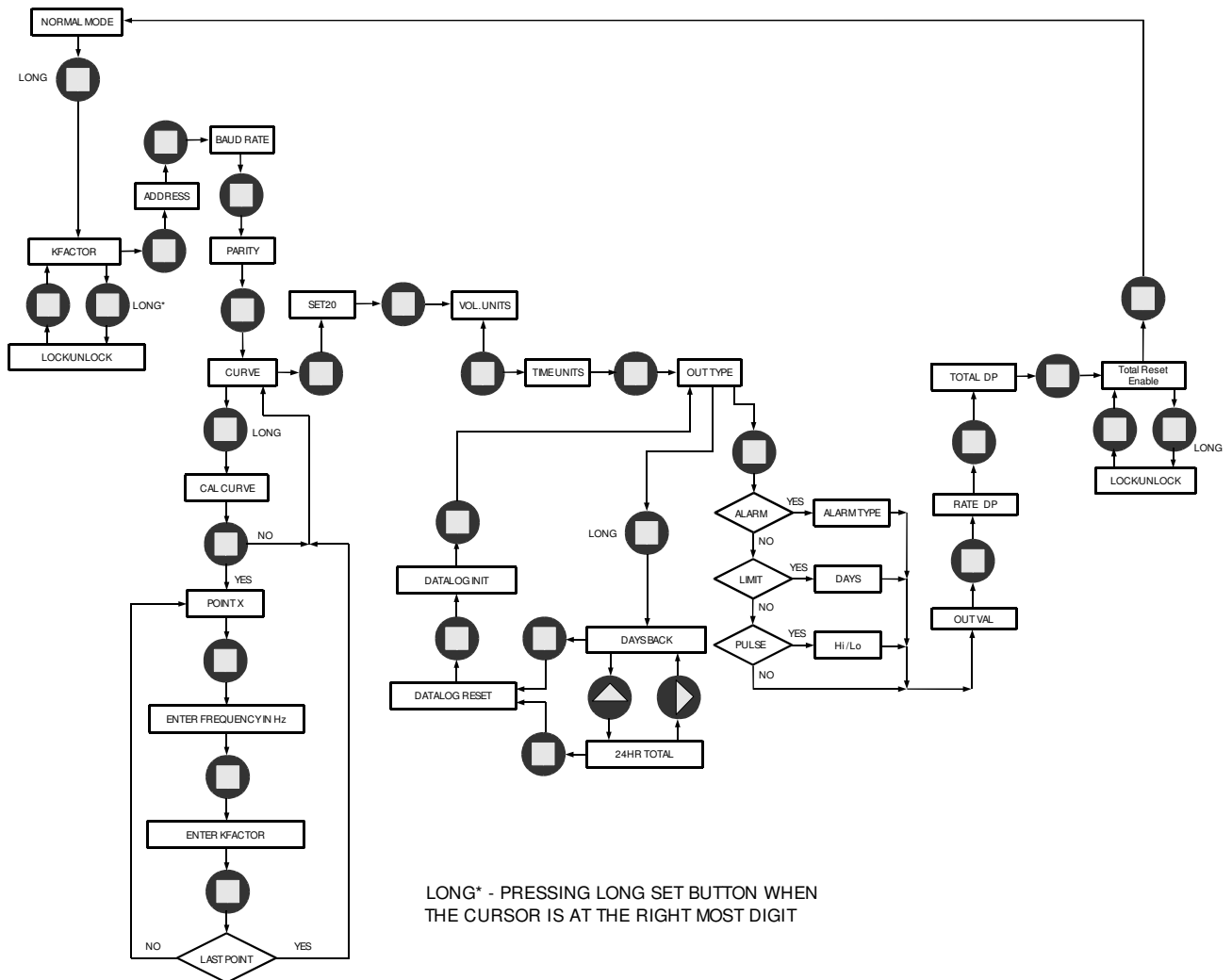
All the icons of the LCD can be checked by pressing and holding the **RIGHT** button while powering on or after exiting the last menu. Releasing the button will return the computer to normal mode.

3.7. Removing the power

Total A is stored in the non-volatile memory every 50 seconds.
Before removing the power make sure that there was no flow for the last minute.

4. MENU DIAGRAM

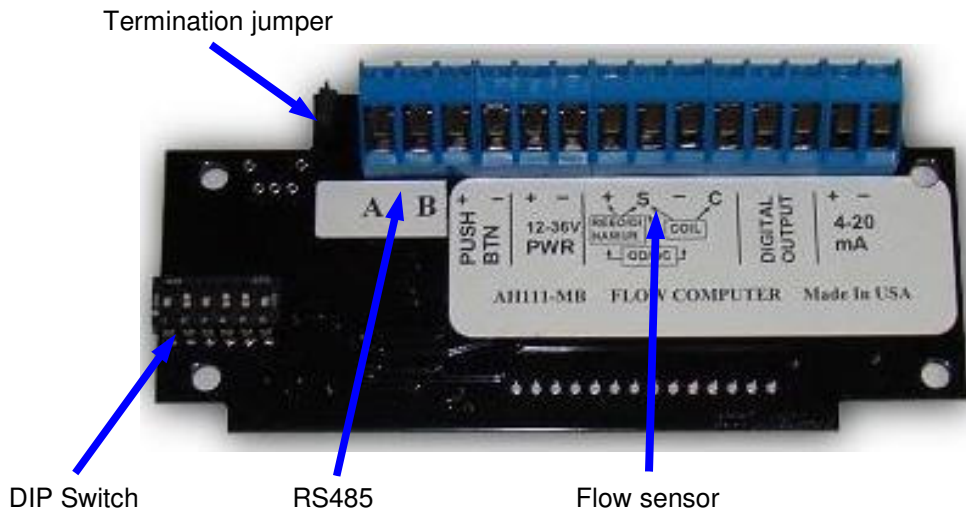
The menu diagram for AH111-MB flow computer / totalizer is shown below.



5. APPLICATION

5.1. ELECTRICAL

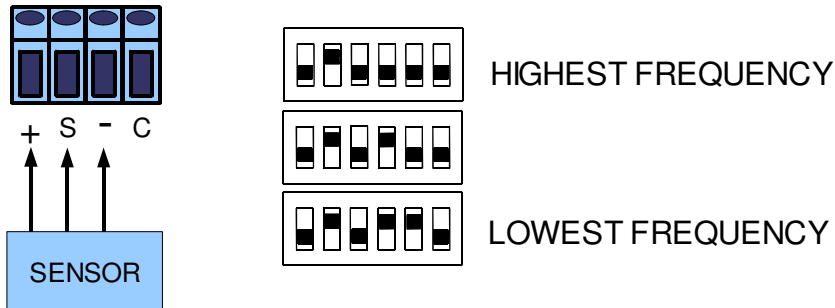
NOTE: There is no isolation between the sensor input, the power supply and the push button input.



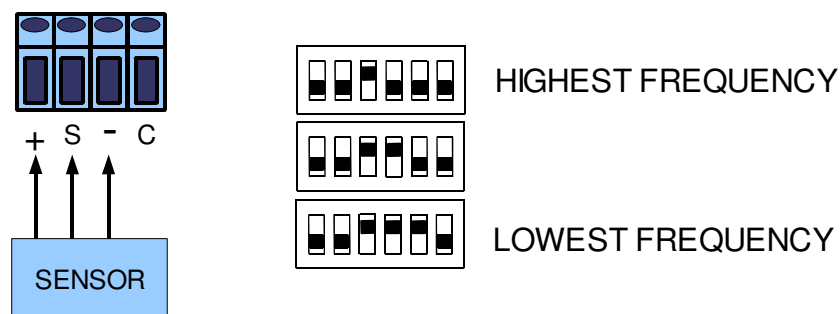
5.1.1. Wiring the flow sensor

AH111-MB accepts a variety of sensors. See below for wiring specifications and their particular wiring is shown below:

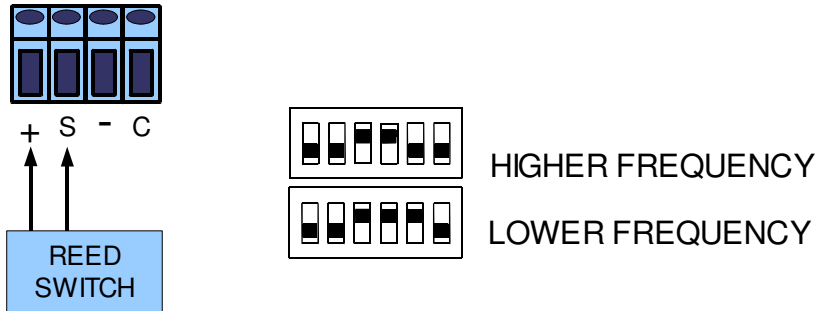
5.1.1.1. NPN Open Drain, Open Collector



5.1.1.2. PNP Open Drain, Open Collector

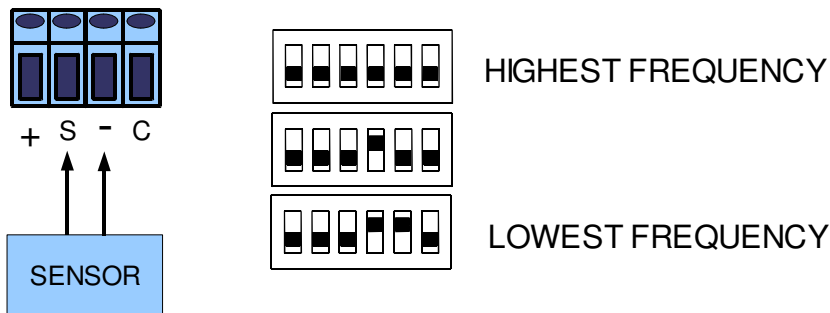


5.1.1.3. Reed Switch, Dry Contact

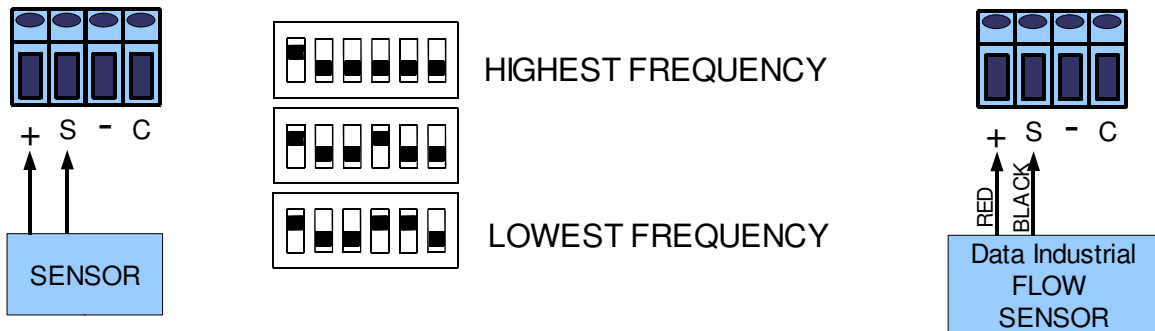


NOTE: Different reed switches and dry contacts have different bouncing time. Test and evaluate carefully to determine the right DIP switch setting.

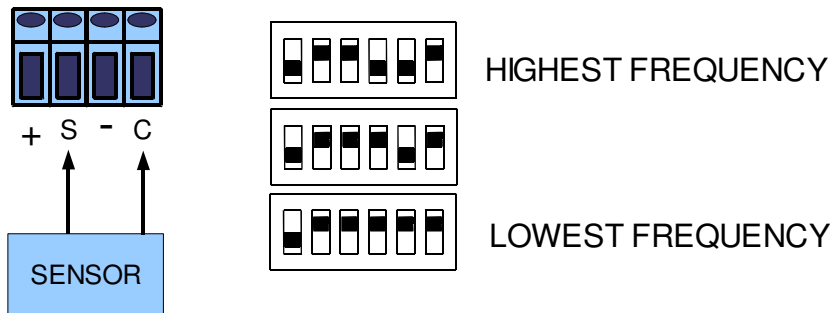
5.1.1.4. Wave (square, sine, triangle, saw etc.), Logical Signal (CMOS, TTL etc.)



5.1.1.5. NAMUR Sensors, Data Industrial Two Wire Flow Meters



5.1.1.6. Coils



NOTE: If the cable to the coil is shielded, connect the shield to "-" ONLY. Do not connect the shield to anything at the other (coil) end of the cable. The shield has to be isolated from earth ground and all other equipment or electrical connections.

5.1.2. Wiring the communication port

Connect the RS485 port to the network is by using a twisted pair on terminals A and B. If the device is at the end of the network cable a termination may be required. Shorting the termination jumper will connect a 120 ohm 0.5W termination resistor between terminals A and B.

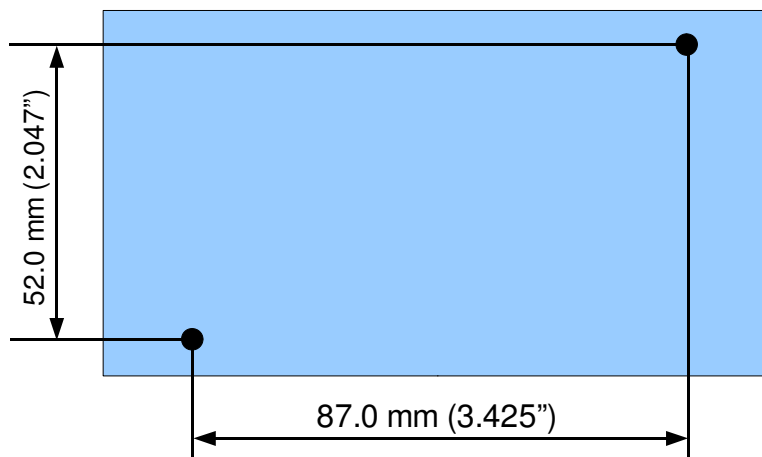
Make sure there is not more than one termination resistor at each end of the network.

The RS485 is not isolated.

Make sure the MODBUS address you programmed in the AH111-MB menu is unique on that network.

5.2. MECHANICAL

Mounting AH111-MB on a wall requires an area of 120 x 65 mm (4.73 x 2.56 inches) and two screws:



NOTE: The cable grips and the cables need additional space



5.3. COMMUNICATION

AH111-MB communication protocol is MODBUS RTU. The port settings are programmable:

- baud rate 4800, 9600, 19 200, 38400, 57600 and 115.2k
- 8 bit character, 1 (2) stop bit, no, even or odd parity. Stop bits are programmable only with no parity.

Functions 0x03, 0x04 and 0x06 are implemented. The device handles exceptions 1, 2, 3 and 6.

Here are the registers used:

<i>Register address</i>	<i>Register Type</i>	<i>Read/Write</i>	<i>Description</i>	<i>Format</i>
34	Input	R	Flow Rate High, Note 2	IEEE-754
35	Input	R	Flow Rate Low	Note 1
36	Input	R	Total A High, Note 2	IEEE-754
37	Input	R	Total A Low	Note 1
84	Input	R	Total B High, Note 2	IEEE-754
85	Input	R	Total B Low	Note 1
86	Input	R	Total C High, Note 2	IEEE-754
87	Input	R	Total C Low	Note 1
88	Input	R	Data log Total High, Note 2, Note 3	IEEE-754
89	Input	R	Data log Total Low	Note 1
1000	Holding	R/W	Batch High, Note 2	IEEE-754
1001	Holding	R/W	Batch Low	Note 1
1002	Holding	R/W	Alarm High, Note 2	IEEE-754
1003	Holding	R/W	Alarm Low	Note 1
1004	Holding	R/W	Data log, start address to read, Note 3	0 - 63
1005	Holding	W	Data log initialize command, Note 4	Write anything
1006	Holding	W	Data log reset command, Note 4	Write anything
1007	Holding	W	Clear total B command, Note 5	Write 6003
1008	Holding	W	Clear total C command, Note 5	Write 11769

NOTE 1: These are IEEE-754 floating point numbers. High word contains the exponent and the most significant byte of the mantissa. The low word contains the middle and the least significant byte of the mantissa. For an accurate reading both high and low have to be read, merged and used like a IEEE754 floating point number.

NOTE 2: The flow rate and the alarm are in **M³/H**. Total A, B, C, the batch and the data log total are in **M³**.

NOTE 3: Write the address you want to read from first. After you read both high and low data log total AH111-MB will automatically increment the address, so you need to set it only once. Address 0 is for the oldest total (the first 24 hour total after the data log has been initialized).

NOTE 4: The command will be accepted if you just write (anything) to that address

NOTE 5: The command will be accepted only if you write that particular number to that particular address



6. ORDERING

For ordering please use the following G Instruments part numbers:

<i>Description</i>	<i>G Instruments PN</i>
AH111-MB flow computer, external DC power	30660
AH111-MB flow computer with GPS123 (85-264 VAC power supply, 20W)	30661
AH111-MB flow computer with GPS125 (85-264 VAC power supply, 10W)	30662
AH111-MB flow computer with GPS122 (85-264 VAC power supply, 5W)	30663



IMPORTANT NOTICE

G Instruments reserves the right to make corrections, modifications, enhancements, improvements and other changes to its products at any time without notice.

Customers should obtain the latest relevant information before placing orders and should verify that such information is current and complete.

G Instruments does not assume any liability arising from the use of any device or circuit described herein, nor does it convey any license under its patent rights or the rights of others.

Customers are responsible for their products and applications using G Instruments devices. To minimize the risks associated with customer products and applications, customers should provide adequate design and operating safeguards.

G Instruments products are not authorized for use as critical components in life support devices or systems without express written approval of G Instruments.

Trademarks and registered trademarks are the property of their respective owners.